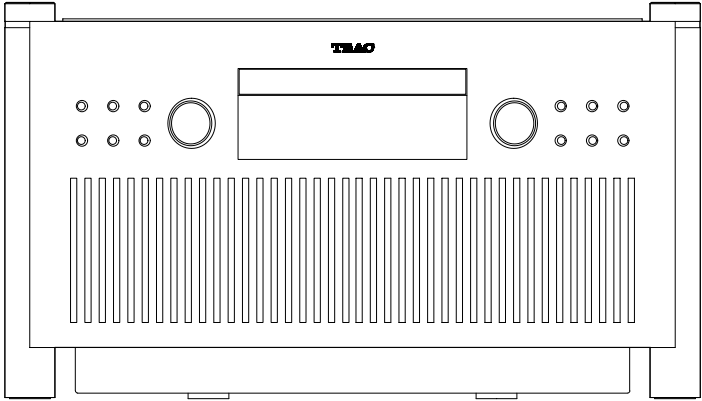


TEAC




SERVICE MANUAL

SR-L50

CD Receiver

NOTES

- PC boards shown are viewed from parts side.
- Parts marked with * require longer delivery time.
- The parts with no reference number or no parts number in the exploded views are not supplied.
- As regards the resistors and capacitors, refer to the circuit diagrams contained in this manual.
-  Parts marked with this sign are safety critical components. They must be replaced with identical components – refer to the appropriate parts list and ensure exact replacement.
- Parts of [] mark can be used only with the version designated.
- [T/C]:USA/CANADA,[EUR]:EUROPE,[UK]:UK,
[HKG]:HONG KONG

CONTENTS

1 SAFETY INFORMATION	2
2 SPECIFICATIONS	3
3 ADJUSTMENT AND CHECKS	4
3-1 TUNER SECTION.....	4
3-2 CD SECTION.....	7
4 EXPLODED VIEWS AND PARTS LIST	8
5 PC BOARDS AND PARTS LIST	16
6 WIRING DIAGRAM	26

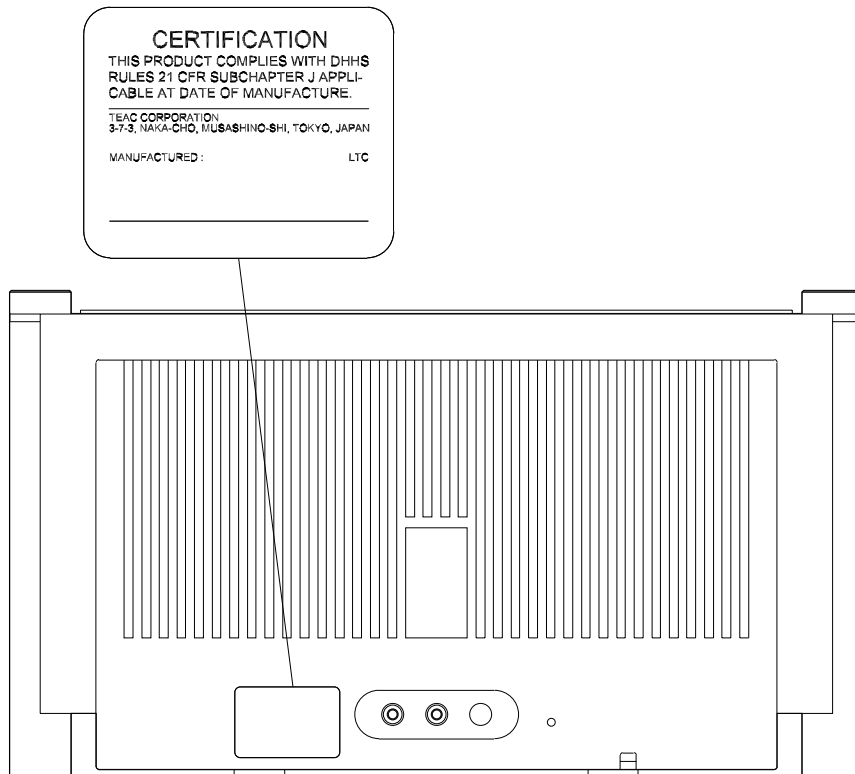
1 SAFETY INFORMATION

SAFETY INFORMATION

This product has been designed and manufactured according to FDA regulations “title 21, CFR, chapter 1, subchapter J based on the Radiation Control for Health and Safety Act of 1986” and is classified as class 1 laser product. There is no hazardous invisible laser radiation during operation because invisible laser radiation emitted inside of this product is completely confined in the protective housings. The label required in this regulation is shown below.

• **CAUTION**

USE OF CONTROLS OR ADJUSTMENT OR PERFORMANCE OF PROCEDURES OTHER THAN THOSE SPECIFIED HERE IN MAY RESULT IN HAZARDOUS RADIATION EXPOSURE.



Optical pickup:

Type	:	SLD104AU
Manufacturer	:	SONY Corporation
Laser output	:	Less than 0.5mV on the objective lens
Wavelength	:	760 – 800 nm

2 SPECIFICATIONS

TUNER Section (FM)

Frequency Range..... 87.50 to 108.00 MHz(100kHz step)

(U.S.A./Canada Model, General Export Model)

Frequency Range..... 87.50 to 108.00 MHz(50kHz step)

(Europe Model)

TUNER Section (AM)

Frequency Range.....520 to 1710 kHz(10kHz step)

(U.S.A./Canada Model, General Export Model)

Frequency Range.....522 to 1620 kHz(9kHz step)

(Europe Model)

CD PLAYER Section

Frequency Response.....20 to 20kHz (±1dB)

Wow and Flutter.....Unmeasurable

SPEAKER SYSTEM Section

Type.....65 mm 1-way x2

80 mm subwoofer x1

Impedance.....8 ohms (L & R)

8 ohm (subwoofer)

GENERAL

Total Output Power.....15W

Power Requirements.....120V, 60Hz (U.S.A./Canada model)

230V, 50Hz (Europe Model)

120V/230V AC, 50-60Hz (General export model)

Power Consumption.....40W

Dimension (W x H x D)389 x 213 x 216 mm

(15-7/8" x 8-3/8" x 8-1/2")

Weight.....6.0 kg (13-3/16 lb)

Standard Accessories

Remote Control Unit (RC-917) x 1

FM lead-type antenna

(U.S.A./Canada Model, General Export Model)

Remote Control Unit (RC-917) x 1

(Europe Model)

- Design and specifications are subject to change without notice.
- Illustrations may differ slightly from production models

SR-L50

3 ADJUSTMENTS AND CHECKS

3-1 TUNER SECTION

Use a screwdriver with a plastic or ceramic grip for all adjustment.

AM adjustment

1. Set the function switch to the TUNER position.
2. Set the BAND switch to the AM position.
3. Connect the test loop antenna across the output of the signal generator.
4. Connect the oscilloscope to the PHONES JACK terminal.
5. Set the signal generator as listed in the alignment chart.

FM adjustment

1. Set the function switch to the TUNER position.
2. Set the BAND switch to the FM position.
3. Connect the signal generator output through a 75 ohm dummy antenna to "ANT" on TUNER PCB CN8.
4. Connect the oscilloscope to the PHONES JACK terminal.
5. Set the signal generator as listed in the alignment chart.

3-1-1. RADIO ALIGNMENT

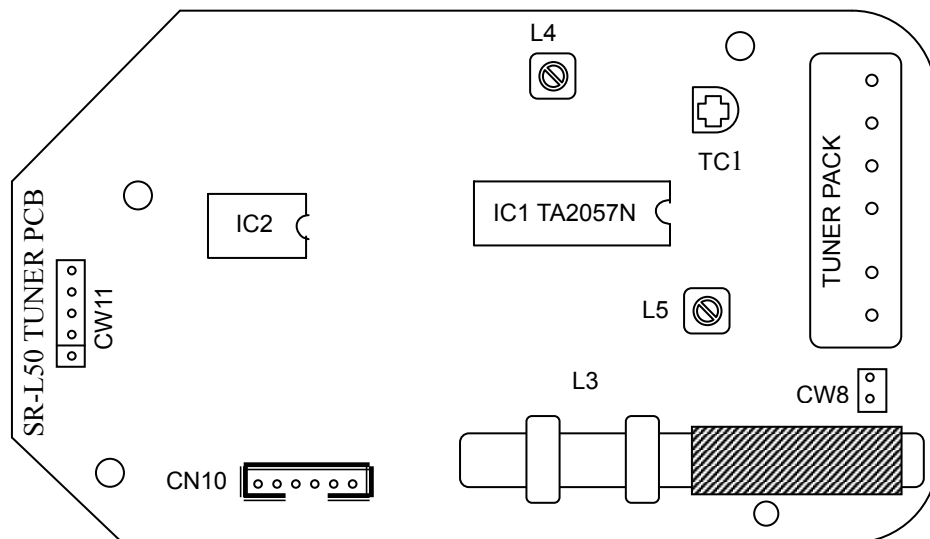


FIG. 1-1 Adjustment locations

3-1-2 AM TUNER

ITEM	SG SETTING				TUNER SETTING	ADJUSTMENTS	MEASURING POINTS RESULT
	Audio	Modulation	Frequency	Output			
1.VOLTAGE adjustment					1710KHz(T/C)	L4	VT 8.0V
					1620KHz(EUR)		
					530KHz(T/C)	Check	VT 1.5V
					531KHz(EUR)		
2.IFT adjustment	1KHz	30%	610KHz(T/C)	76dBuV	610KHz(T/C)	L5	Maximum output level
			612KHz(EUR)		612KHz(EUR)		
3.ANT Coil adjustment	1KHz	30%	610KHz(T/C)	76dBuV	610KHz(T/C)	Am ant coil L3	Maximum output level
			612KHz(EUR)		612KHz(EUR)		
4.TC1 adjustment	1KHz	30%	1410KHz(T/C)	76dBuV	1410KHz(T/C)	TC1 Repeat step 3 and 4	Maximum output level
			1413KHz(EUR)		1413KHz(EUR)		

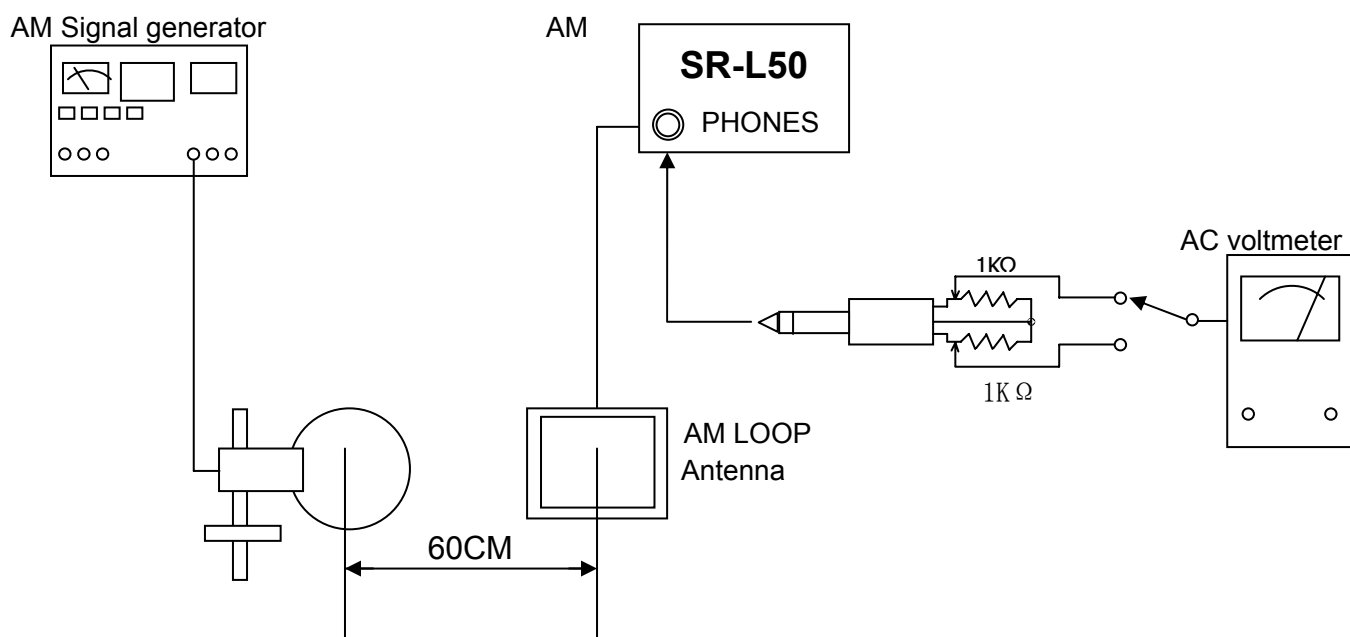


FIG. 1-1-1

SR-L50

3-1-3 FM TUNER

ITEM	S G S E T T I N G				TUNER SETTING	ADJUSTMENTS	MEASURING POINTS. RESULT
	AUDIO	Modulation	Frequency	Output			
VOLTAGE adjustment					106.1MHz	Check	VT 5.5-5.9V
					90.1MHz	Check	VT 1.2-1.6V

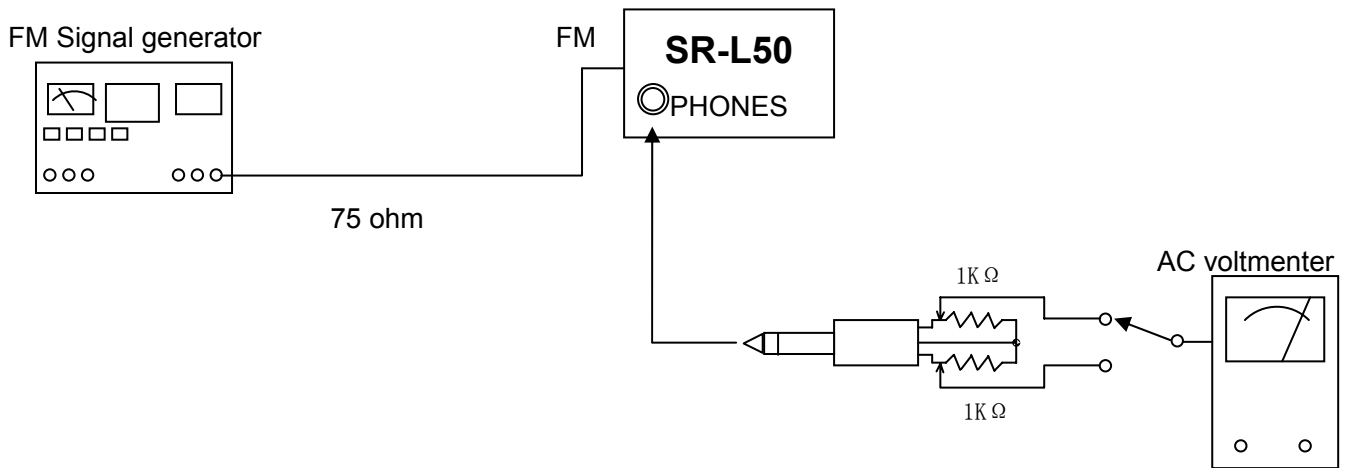
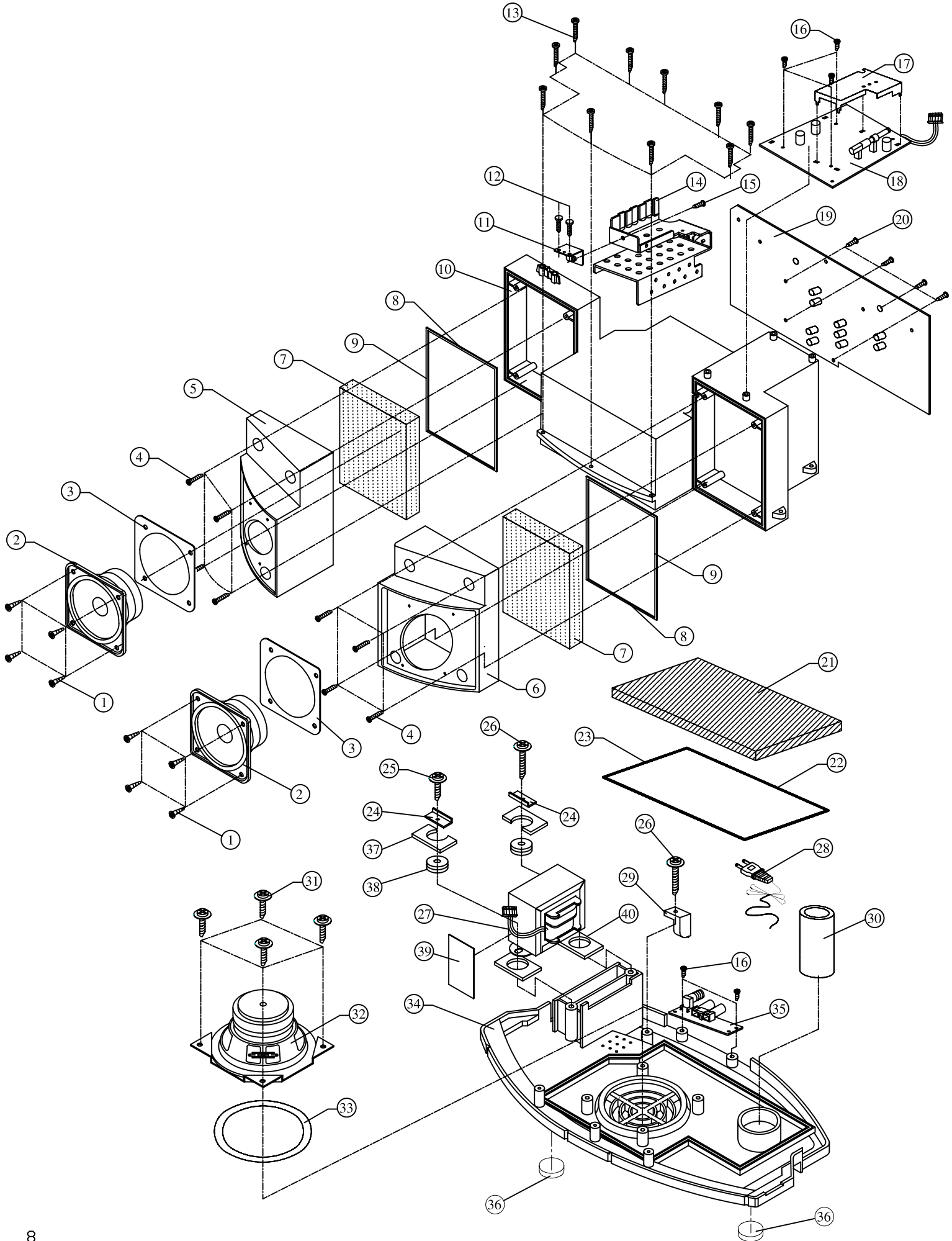


FIG.1-1-2

3-2 CD SECTION

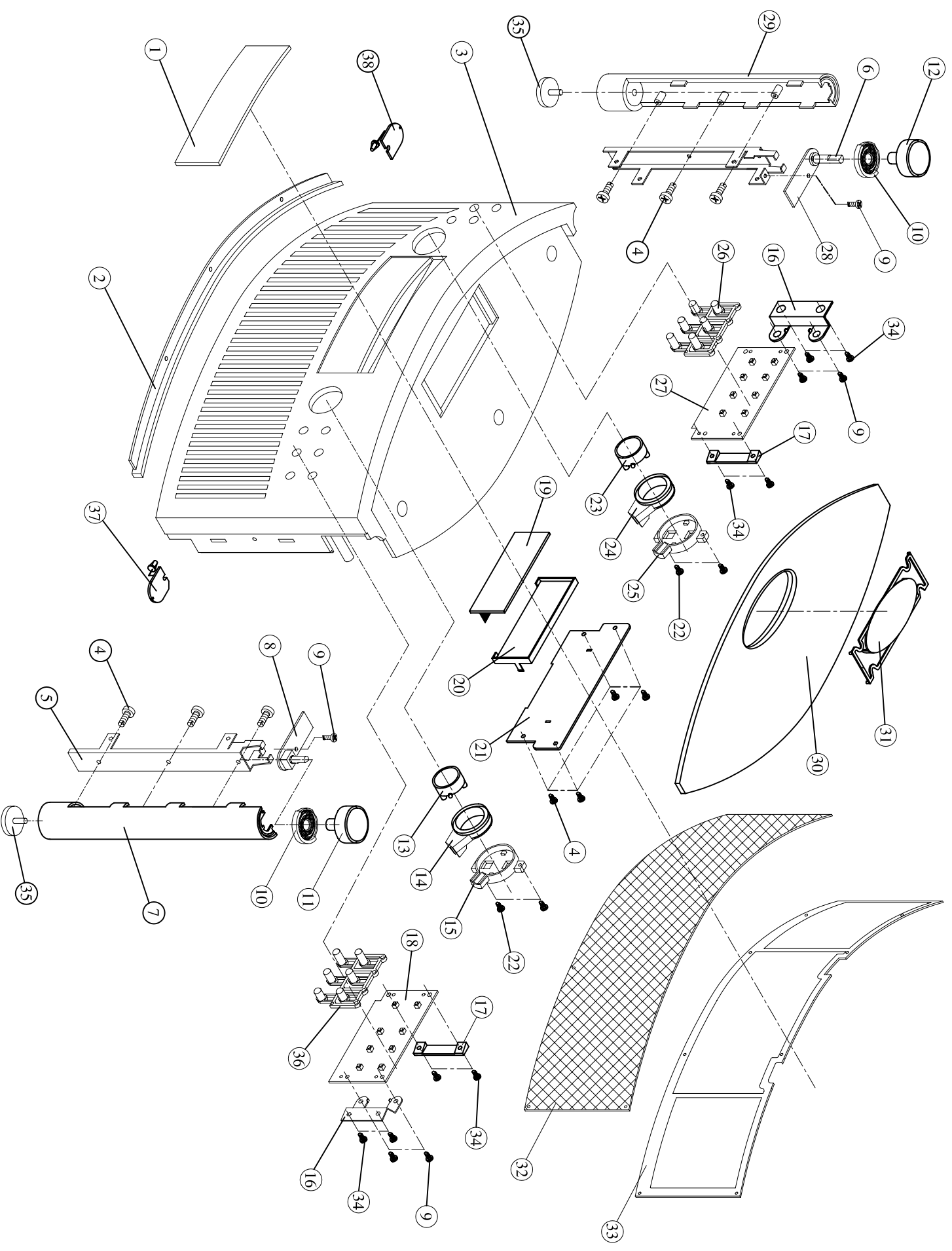
Auto alignment.

4 EXPLODED VIEWS AND PARTS LIST
EXPLODED VIEW-1



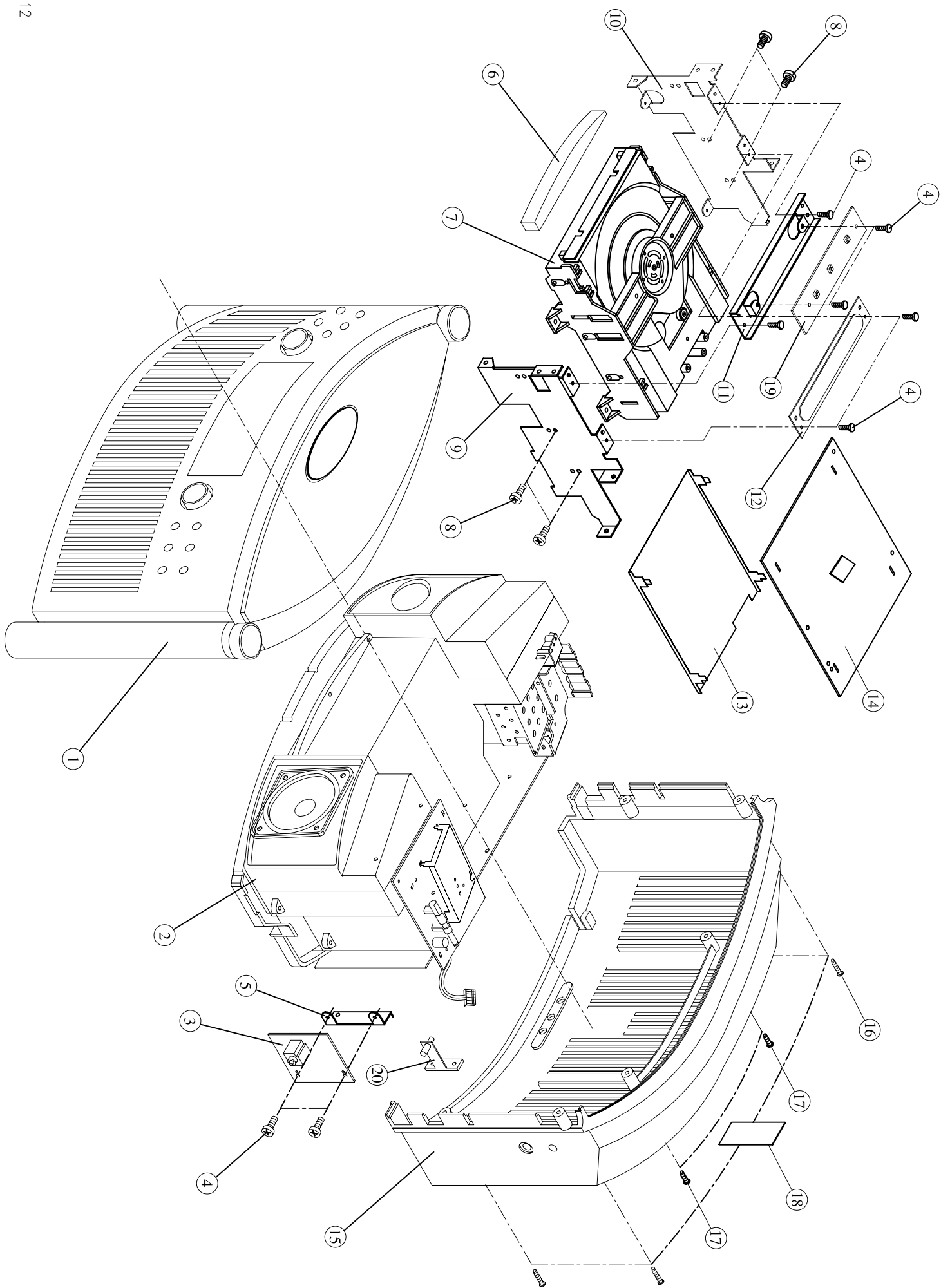
EXPLODED VIEW-1

REF. NO	PARTS NO.	DESCRIPTION	REMARKS
1 - 1	024-43010033	SCREW Ø3x10MM PWA BLACK HD	
1 - 2	061-OLT10800	SPEAKER 2" 8 ohm 5~8W	
1 - 3	035-SD900082	R/L SPEAKER EVA WASHER	
1 - 4	023-23014033	SCREW Ø3x14MM BB BLACK HD	
1 - 5	010-SR500200	LEFT SPEAKER BOX COVER	
1 - 6	010-SR500300	RIGHT SPEAKER BOX COVER	
1 - 7	099-39SRL502	ABSORB COTTON B (SIZE:108x80xT20MM)	
1 - 8	035-SLD90052	EVA SHEET(D):93x5xT1.0MM	
1 - 9	035-SRL50022	EVA SHEET(C):11.8x5xT1.0MM	
1 - 10	010-SR500100	WOOFER BOX	
1 - 11	011-SD900200	HEAT SINK BKT	
1 - 12	023-23008032	SCREW Ø3x8MM BB ZMC HD	
1 - 13	023-23012033	SCREW Ø3x12MM BB BLK HD	
1 - 14	018-SRL50000	POWER IC HEAT SINK	
1 - 15	022-23008033	SCREW Ø3x8MM BM BLK HD	
1 - 16	023-13006032	SCREW Ø3x6MM PB ZMC HD	
1 - 17	011-SR500500	TUNER PCB SHIELD PLATE	
1 - 18	100-SR502060	TUNER PCB ASS'Y (FOR T/C)	
	100-SR501180	TUNER PCB ASS'Y (FOR EUR)	
1 - 19	100-SR502010	MAIN PCB ASS'Y (FOR T/C)	
	100-SR501160	MAIN PCB ASS'Y (FOR EUR)	
1 - 20	023-23010032	SCREW Ø3x10MM BB ZMC HD	
1 - 21	099-39SRL501	ABSORB COTTON A (SIZE:126x126xT20)	
1 - 22	035-SRL50002	EVA SHEET(A):183x5xT1.0MM	
1 - 23	035-SRL50012	EVA SHEET(A):138x5xT1.0MM	
1 - 24	011-SR900401	TRANSFORMER BKT	
1 - 25	021-44015032	SCREW Ø4x15MM PWT ZMC HD (FOR T/C)	
	021-44020032	SCREW Ø4x20MM PWT ZMC HD (FOR EUR)	
1 - 26	021-44018032	SCREW Ø4x18MM PWT ZMC HD (FOR T/C)	
	021-44024032	SCREW Ø4x24MM PWT ZMC HD (FOR EUR)	
1 - 27	⚠ 084-SD900200	TRANSFORMER UL 120V/60Hz (FOR T/C)	
	094-SD900100	TRANSFORMER VDE 230V/50Hz (FOR EUR)	
1 - 28	⚠ 087-00000007	AC CORD "UL" L=2000MM BLACK (FOR T/C)	
	087-00000001	AC CORD "VDE" L=2000MM BLACK (FOR EUR)	
	087-00000004	AC CORD "BSI" L=2000MM BLACK (FOR UK/HKG)	
1 - 29	010-SD900600	CORD STOP	
1 - 30	044-SLD90040	SPEAKER PAPER TUBE(BOTTOM)	
1 - 31	023-44010032	SCREW Ø4x10MM PWB ZMC HD	
1 - 32	061-OLT10801	SPEAKER 3" 8 OHM 10~15W	
1 - 33	035-OOLT1052	EVA SHEET:Ø83xØ73xT1.5MM	
1 - 34	001-SR500100	BOTTOM CABINET (FOR T/C, EUR)	
1 - 35	100-SR502100	AUX PCB ASS'Y (FOR T/C)	
	100-SR501190	AUX PCB ASS'Y (FOR EUR)	
1 - 36	037-SR500100	RUBBER FOOT B	
1 - 37	037-SD900500	TRANSFORMER RUBBER SHEET (B) (FOR EUR/HKG)	
1 - 38	037-SD900600	TRANSFORMER RUBBER (ROUND) (FOR EUR/HKG)	
1 - 39	015-SR500300	ADIABATIC SHEET (FOR EUR/HKG)	
1 - 40	037-SD900400	TRANSFORMER RUBBER SHEET (A) (FOR EUR/HKG)	



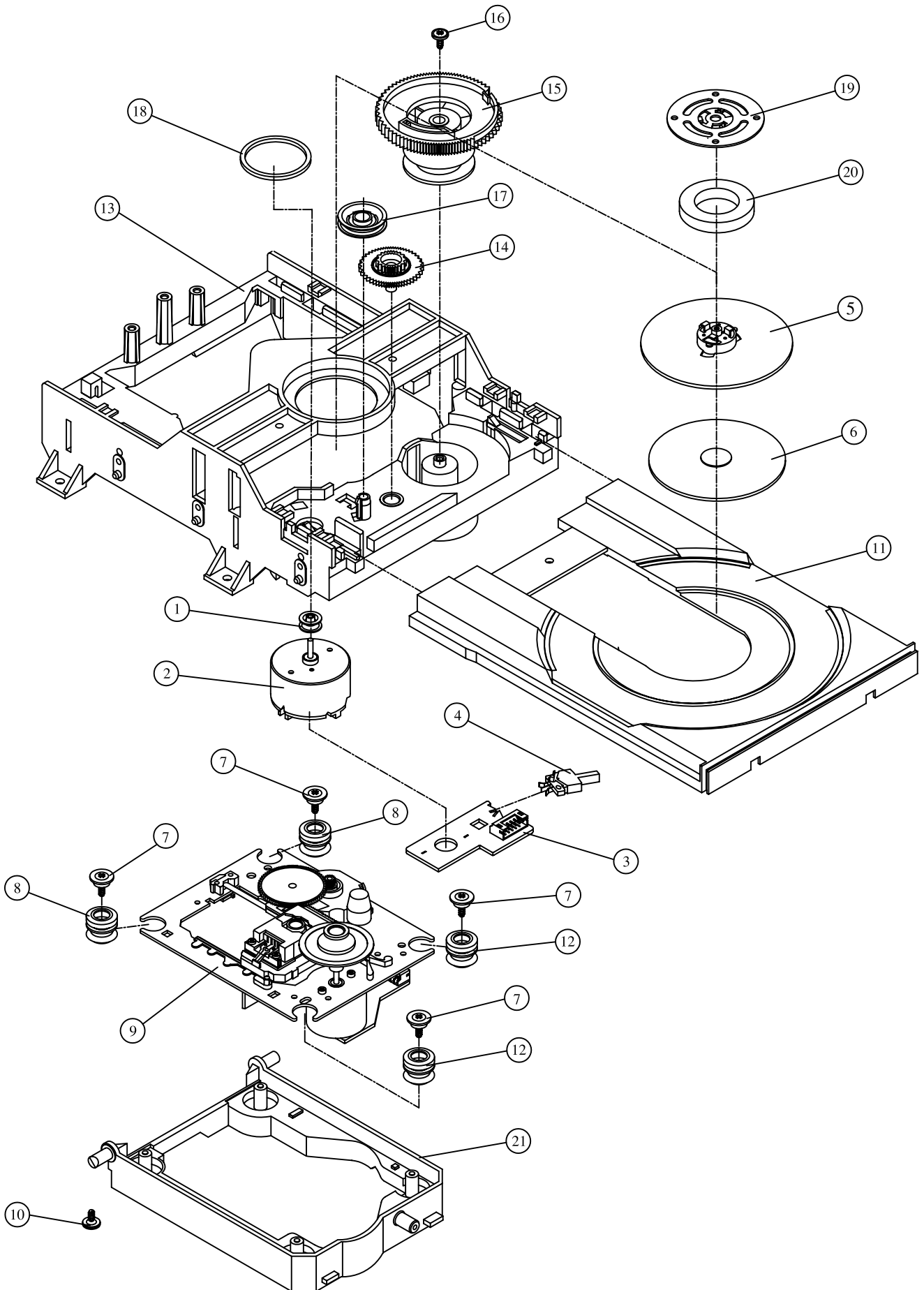
EXPLODED VIEW-2

REF. NO	PARTS NO.	DESCRIPTION	REMARKS
2 - 1	007-SR500300	LCD DISPLAY LENS	
2 - 2	007-SR500200	BOTTOM CABINET LENS	
2 - 3	001-SR500000	FRONT CABINET	
2 - 4	023-23008032	SCREW Ø3x8MM BB ZMC HD	
2 - 5	011-SR500800	POLE BKT RIGHT	
2 - 6	010-SR501300	CAP SHAFT	
2 - 7	010-SR501000	SIDE POLE RIGHT	
2 - 8	100-SR502110	BASS PCB ASS'Y	
2 - 9	022-23006032	SCREW Ø3x6MM BM ZMC HD	
2 - 10	010-SR500900	BBS KNOB LENS RING	
2 - 11	004-SR500200	BBS VOLUME KNOB	
2 - 12	004-SR500201	MASKING KNOB	
2 - 13	004-SR500100	VOLUME KNOB	
2 - 14	010-SR500500	VOLUME LENS RING	
2 - 15	010-SR500600	VOLUME LENS COVER	
2 - 16	011-SR500900	FUNCTION PCB BKT	
2 - 17	010-SR501200	PCB HOLDER	
2 - 18	100-SR502040	RIGHT FUNCTION PCB ASS'Y	
2 - 19	080-SRL50021	LCD DISPLAY: MODEL:TCM-3866	
2 - 20	009-SR500000	LCD BACK LIGHT HOLDER	
2 - 21	100-SR502050	LCD DISPLAY PCB ASS'Y	
2 - 22	023-42610032	SCREW Ø2.6x10MM PWB ZMC HD	
2 - 23	004-SR500101	TUNER KNOB	
2 - 24	010-SR500700	TUNER LENS RING	
2 - 25	010-SR500800	TUNER LENS COVER	
2 - 26	004-SR500301	FUNCTION KEY L	
2 - 27	100-SR502030	LEFT FUNCTION PCB ASS'Y	
2 - 28	100-SR502120	TOP LEFT LED PCB ASS'Y	
2 - 29	010-SR501100	SIDE POLE L	
2 - 30	010-SR501400	TOP PANEL	
2 - 31	004-SR500500	SNOOZE KNOB	
2 - 32	051-SRL50001	SPEAKER NET HIMERON	
2 - 33	010-SR500400	CLOTH HOLDER	
2 - 34	023-23010032	SCREW Ø3x10MM BB ZMC HD	
2 - 35	037-SR500000	RUBBER FOOT A	
2 - 36	004-SR500401	FUNCTION KEY A	
2 - 37	100-SR502140	BOTTOM LIGHT RIGHT PCB ASS'Y	
2 - 38	100-SR502130	BOTTOM LIGHT LEFT PCB ASS'Y	



EXPLODED VIEW-3






REF. NO	PARTS NO.	DESCRIPTION	REMARKS
3 - 1		FRONT CABINET ASS'Y	
3 - 2		WOOFER BOX ASS'Y	
3 - 3	100-SR502090	PHONE JACK PCB ASS'Y	
3 - 4	022-23006032	SCREW Ø3x6MM BM ZMC HD	
3 - 5	011-SR500600	PHONE PCB BKT	
3 - 6	007-SR500100	CD DOOR	
3 - 7		CD ASS'Y	
3 - 8	023-23008032	SCREW Ø3x8MM BB ZMC HD	
3 - 9	011-SR500100	CD BKT RIGHT	
3 - 10	011-SR500000	CD BKT LEFT	
3 - 11	011-SR500200	BRIDGE BKT FRONT	
3 - 12	011-SR500300	BRIDGE BKT REAR	
3 - 13	011-SR500400	CD PCB SHIELD PLATE	
3 - 14	100-SR502030	CD PCB ASS'Y (FOR T/C)	
	100-SR501170	CD PCB ASS'Y (FOR EUR)	
3 - 15	001-SR500200	REAR CABINET (FOR T/C)	
	001-SR500500	REAR CABINET (FOR EUR)	
3 - 16	022-23014033	SCREW Ø3x14MM BB ZMC HD	
3 - 17	022-23008033	SCREW Ø3x8MM BM ZMC HD	
3 - 18	015-SR500100	REAR CABINET PVC SHEET	
3 - 19	100-SR502080	SNOOZE SW PCB ASS'Y	
3 - 20	004-SR500600	DIMMER KNOB	



EXPLODED VIEW-4

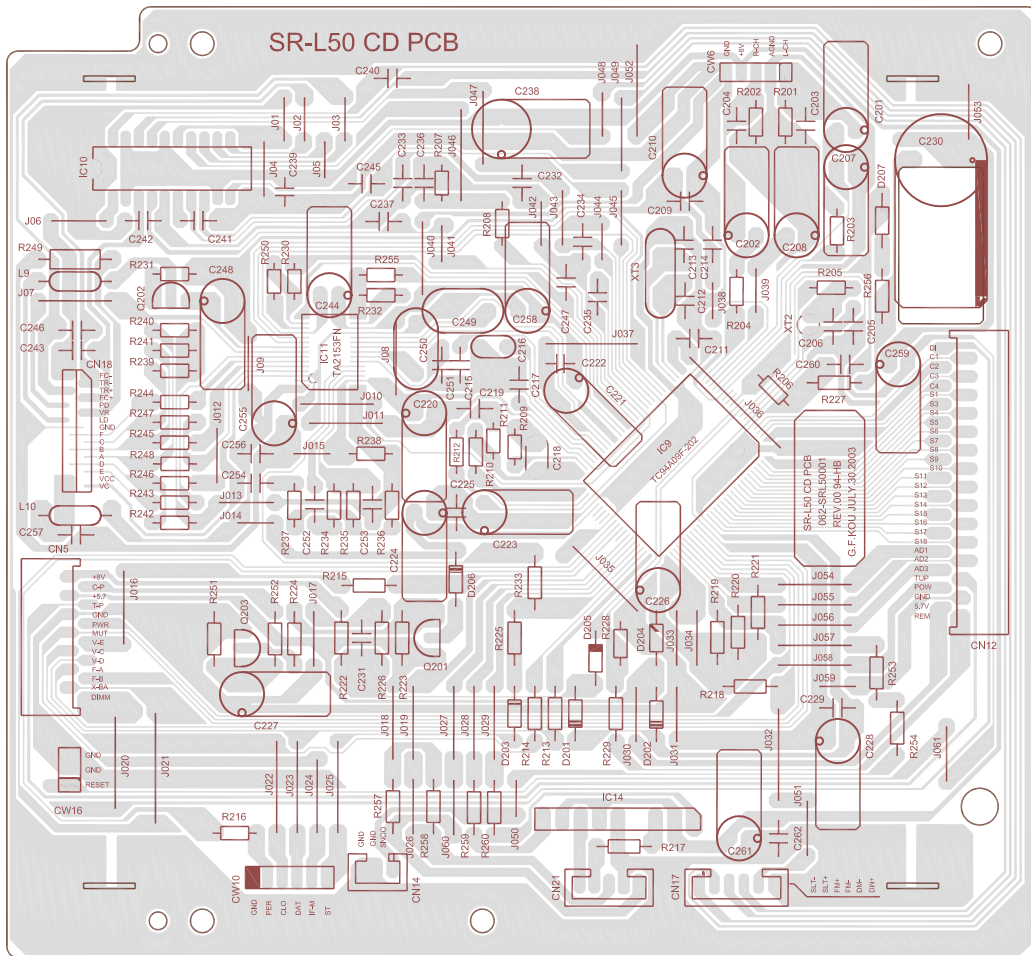
REF. NO	PARTS NO.	DESCRIPTION	REMARKS
4 - 1	008-OLT98003	CD BELT GEAR (D)	
4 - 2	085-OLT98050	MOTOR RF-500TB-12560	
4 - 3	100-SR502150	CD MOTOR PCB ASS'Y	
4 - 4	063-OLT98400	LEAF SWITCH	
4 - 5	010-LT980100	CD DISC HOLDER	
4 - 6	051-SRL50002	CD CLAMPER HIMERON	
4 - 7	025-OLT98002	SPECIAL SCREW	
4 - 8	037-OLT10100	CD RUBBER CUSHION(AC-211A-SIN30° BLACK)	
4 - 9	039-LT980130	CD PICK UP (SAMSUNG :CMS-B31VG6)	
4 - 10	023-43008032	SCREW Ø3x8MM PBW ZMC HD (Ø=12MM)	
4 - 11	037-OLT10200	CD LOADING TABLE	
4 - 12	002-LT980100	CD RUBBER CUSHION(AC-211A-SIN40° PINK)	
4 - 13	002-LT980000	CD BASE	
4 - 14	008-OLT98001	CD SMALL GEAR (B)	
4 - 15	008-OLT98000	CD BIG GEAR (A)	
4 - 16	023-42606032	SCREW Ø2.6x6MM PBW ZMC HD	
4 - 17	008-OLT98002	CD FLY GEAR (C)	
4 - 18	033-02301015	BELT	
4 - 19	011-LT980000	YOKE	
4 - 20	052-OLT98000	MAGNET	
4 - 21	010-LT980000	CD DECK HOLDER	

5 PC BOARD AND PARTS LIST

MAIN PCB ASSY			MAIN PCB ASSY		
REF. NO	PARTS NO.	DESCRIPTION	REF.NO	PARTS NO.	DESCRIPTION
	100-SR502010	MAIN PCB ASS'Y	FUSE01,02	 090-22520022	FUSE T2AL 250V "UL/CSA/VDE" MARK
	062-SRL50000	MAIN PCB 94V-0 REV:00	IC3	075-00405201	IC:TC4052BP
C1,2,3,4,5,6,7,8	070-32200507	CERAMIC CAP 0.022UF 50V Y5U M	IC4	075-00926001	IC:TC9260P
C18,84	070-31000506	CERAMIC CAP 0.01UF 50V Z5U M	IC5,6	075-01521808	IC:BA15218
C47,48	070-02200502	CERAMIC CAP 22PF 50V NPO J	IC7	075-00821841	IC:TA8218AH
C139	070-50100507	CERAMIC CAP 0.1UF 50V Y5U M	IC8	 075-00780801	IC:AN7808
C22,37,39	071-50121001	MYLAR CAP 0.12UF 100V J (H<12MM)	IC12	075-00780501	IC:KIA7805PI
C24	071-38201001	MYLAR CAP 0.082UF 100V J	IC13	075-00401301	IC:TC4013BP
C27	071-50271001	MYLAR CAP 0.27UF 100V J (H<16MM)	L1	078-06301952	FILTER COIL Ø3.0MMx19.5TxØ0.5MM
C38,40	071-30331001	MYLAR CAP 0.0033UF 100V J	Q1,2,4,5,8,12,13	076-00C94500	TRANSISTOR:2SC945
C41,42	071-50151001	MYLAR CAP 0.15UF 100V J (H<12MM)	14,15,16,17,18,33		
C60,62,63	071-50101001	MYLAR CAP 0.1UF 100V J (H<10MM)	34,310		
C9	 072-30220251	E/C CAP 2200UF/25V M (H<25MM)	Q6,9	076-00A73300	TRANSISTOR:2SA733
C10,14,17,28	072-12200161	E/C CAP 220UF/16V M	Q7	076-00B54400	TRANSISTOR:2SB544F
C11,15,35,36,79,140	072-04700161	E/C CAP 47UF/16V M	ZD1	077-3011B20H	ZENER DIODE 10V 0.5W
C12	072-30470251	E/C CAP 4700UF/25V M (H<30MM)			
C13,16,19,33,46,49	072-11000161	E/C CAP 100UF/16V M			
50,77,78,80					
C20	072-04700251	E/C CAP 47UF/25V M			
C29,30,31,32,87,88	072-A3300501	E/C CAP 3.3UF/50V M			
141					
C43,44,69,70,71,72	072-01000161	E/C CAP 10UF/16V M			
73,74,75,76,81,82					
C45,83,146	072-03300161	E/C CAP 33UF/16V M			
C51	072-11000251	E/C CAP 100UF/25V M			
C52,53,54,58	072-A1000501	E/C CAP 1UF/50V M			
C55,56,57	072-04700162	E/C CAP 47UF/16V M			
C59,61	072-01000251	E/C CAP 10UF/25V M			
C64,67,68	072-30100251	E/C CAP 1000UF/25V M (H<22MM)			
C65	072-12200125	E/C CAP 220UF/25V M			
CN2	082-10340100	CONNECTOR 3PIN P=2.5MM 180°			
CN3,7,9	082-10300100	CONNECTOR 3PIN P=2.0MM 180°			
CN4	082-10240100	CONNECTOR 2PIN P=2.5MM 180°			
CN6	082-10500100	CONNECTOR 5PIN P=2.0MM 180°			
CN11	082-10540100	CONNECTOR 5PIN P=2.5MM 180°			
CN19	082-20540100	CONNECTOR 5PIN P=2.5MM 90°			
CN15	082-21450100	FPC CONNECTOR 14PIN P=1.25MM 90°			
D1,2,3,4	 077-10539201	DIODE 1N5392			
D5,6,7,8	 077-10400201	DIODE 1N4002			
D9,10,11,12,13,14,15	077-00414801	DIODE 1N4148			
22,23					

CD PCB ASSY			CD PCB ASSY		
REF. NO	PARTS NO.	DESCRIPTION	REF.NO	PARTS NO.	DESCRIPTION
	100-SR502020	CD PCB ASSY	L9,10	095-00100001	INDUCTOR 10UH 0.5W
	062-SRL50001	CD PCB 94-HB REV:00 (FOR T/C)			
	062-SRL50006	CD PCB 94-HB REV:00 (FOR EUR)	Q201	076-00B54400	TRANSISTOR:2SB544F
			Q202	076-00A73300	TRANSISTOR:2SA733
C203,204	070-30220505	CERAMIC CAP 0.0022UF 50V Y5P M	Q203	076-00C94500	TRANSISTOR:2SC945
C205,206	070-03300502	CERAMIC CAP 33PF 50V NPO J			
C211,240,241,243	070-50100507	CERAMIC CAP 0.1UF 50V Y5U M	XT2	093-A0750002	XTAL 75KHz
245,246,251,252,260			XT3	093-11693440	XTAL 16.9344MHz
262					
C212,213	070-01500502	CERAMIC CAP 15PF 50V NPO J			
C215,247	070-30470506	CERAMIC CAP 0.0047UF 50V Z5U M			
C217,231,239,256	070-31000506	CERAMIC CAP 0.01UF 50V Z5U M			
257					
C219	070-04700502	CERAMIC CAP 47PF 50V NPO J			
C232,233,234,235	070-34700507	CERAMIC CAP 0.047UF 50V Y5U M			
242					
C236,237	070-14700504	CERAMIC CAP 470PF 50V Y5E K			
C253	070-00300502	CERAMIC CAP 3PF 50V NPO C			
C254	070-05600502	CERAMIC CAP 56PF 50V NPO J			
C218	071-31501001	MYLAR CAP 0.015UF 100V J			
C249,250	071-50221001	MYLAR CAP 0.22UF 100V J			
C201,202	072-A3300501	E/C CAP 3.3UF 50V M			
C207,208	072-02200161	E/C CAP 22UF/16V M			
C210,238,248	072-11000161	E/C CAP 100UF/16V M			
C220,221,223,224	072-04700161	E/C CAP 47UF/16V M			
226,227,228,244,255					
258,259					
C230	072-30220101	E/C CAP 2200UF/10V M			
CN5	082-21450100	FPC CONNECTOR 14PIN P=1.25MM 90°			
CN12	082-23050100	FPC CONNECTOR 30PIN P=1.25MM 90°			
CN14	082-20300100	CONNECTOR 3PIN P=2.0MM 90°			
CN17	082-20600103	CONNECTOR 6PIN P=2.0MM 90°			
CN18	082-21600305	FPC CONNECTOR 16PIN P=1.0MM			
CN21	082-20500100	CONNECTOR 5PIN P=2.0MM 90°			
D201,202,203,204	077-00414801	DIODE 1N4148			
205,206					
IC9	075-094A0931	IC:TC94A09F-202			
IC10	075-00209001	IC:TA2092N			
IC11	075-00215301	IC:TA2153FN			
IC14	075-00729111	IC:TA7291S			

CD PCB (FOR T/C) LAYOUT



TUNER PCB ASSY			TUNER PCB ASSY		
REF. NO	PARTS NO.	DESCRIPTION	REF.NO	PARTS NO.	DESCRIPTION
	100-SR502060	TUNER PCB ASS'Y	Q27	076-00A73300	TRANSISTOR:2SA733
	062-SRL50003	TUNER PCB 94-HB REV:00	Q28,29,30	076-00C94500	TRANSISTOR:2SC945
C102,104,106,108	072-11000161	E/C CAP 100UF/16V M	TC1	073-00020022	TC.20PF
C118	072-A3300501	E/C CAP 3.3UF/50V M	VD1,2	077-50014901	ISV149
C131	072-11000162	E/C CAP 100UF/16V M	XT1	093-04500000	XTAL 4.5MHz
C133,134,136	072-01000251	E/C CAP 10UF/25V M	ZD3	077-3005B20H	ZENER DIODE 5.2V 0.5W
C101,105,107,109 122,127,132,144,145	070-50100507	CERAMIC CAP 0.1UF 50V Y5U M			
C114,116,123	070-32200507	CERAMIC CAP 0.022UF 50V Y5U M			
C119,125	070-11000502	CERAMIC CAP 100PF 50V NPO J			
C120,121	070-02000502	CERAMIC CAP 20PF 50V NPO J			
C103,124	070-31000506	CERAMIC CAP 0.01UF 50V Z5U M			
C128	070-13300504	CERAMIC CAP 330PF 50V Y5E K			
C129	070-00800502	CERAMIC CAP 8PF 50V NPO C			
C126	070-12200502	CERAMIC CAP 220PF 50V NPO J			
C130	070-03000502	CERAMIC CAP 30PF 50V NPO J			
C142	070-30100505	CERAMIC CAP 0.001UF 50V Y5P K			
C110,111	071-38201001	MYLAR CAP 0.082UF 100V J			
C112,113,135	071-31501001	MYLAR CAP 0.015UF 100V J			
C115	071-36801001	MYLAR CAP 0.068UF 100V J			
C117	071-31001001	MYLAR CAP 0.01UF 100V J			
CF1,2	081-31070001	FM CERAMIC FILTER, L10.7MA5-A 3PIN			
CF3	081-04500000	AM CERAMIC FILTER, SFU450B 3PIN			
CF4	093-11070003	CERAMIC FILTER 10.7MHz 2PIN			
CF5	093-A4560001	RESONATOR B456F16 2PIN			
CN10	082-10600100	CONNECTOR 6PIN P=2.0MM 180°			
D16,17,18,19,20,21	077-00414801	DIODE 1N4148			
L2	095-10220001	INDUCTOR 220UH 0.5W			
L3	096-D2930011	AM BAR ANT COIL 68T:20T			
L4	079-D2930210	AM OSC COIL 3M005 RED			
L5	079-D2800011	AM IFT COIL YELLOW (3A007C)			
IC1	075-00205701	IC:TA2057N			
IC2	075-09257F21	IC:TC9257F			

LCD DISPLAYER PCB ASSY

REF. NO	PARTS NO.	DESCRIPTION
	100-SR502050	LCD DISPLAYER PCB ASS'Y
	062-SRL50005	UNITED PCB 94-HB REV:00
C301	072-04700161	E/C CAP 47UF/16V M
C302	072-12200101	E/C CAP 220UF/10V M
CN12	082-23050100	FPC CONNECTOR 30PIN P=1.25MM 90°
D301	077-00414801	DIODE 1N4148
Q304,305,307,308 309	076-00A73300	TRANSISTOR:2SA733
Q306,311	076-00C94500	TRANSISTOR:2SC945

LEFT FUNCTION PCB ASSY

REF.NO	PARTS NO.	DESCRIPTION
	100-SR502030	LEFT FUNCTION PCB ASS'Y
	062-SRL50005	UNITED PCB 94-HB REV:00
LED2	094-06030502	BLUE LED:Ø5MM
Q303	076-00C94500	TRANSISTOR:2SC945
SW01,02,03,04,05 06,07,08	063-0GP28020	TACT SWITCH H=5.0MM

RIGHT FUNCTION PCB ASSY

REF.NO	PARTS NO.	DESCRIPTION
	100-SR502040	RIGHT FUNCTION PCB ASS'Y
	062-SRL50005	UNITED PCB 94-HB REV:00
LED5	094-06030502	BLUE LED: Ø5MM
Q301,302	076-00C94500	TRANSISTOR:2SC945
SW09,010,011,012 013,014,015,016	063-0GP28020	TACT SWITCH H=5.0MM

BOTTOM LIGHT LEFT PCB ASSY

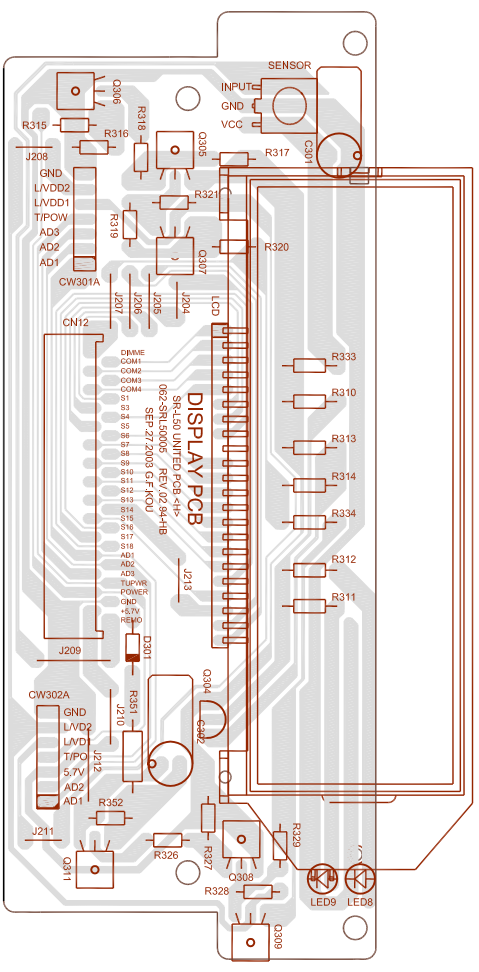
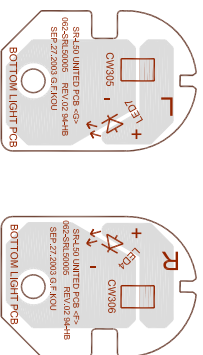
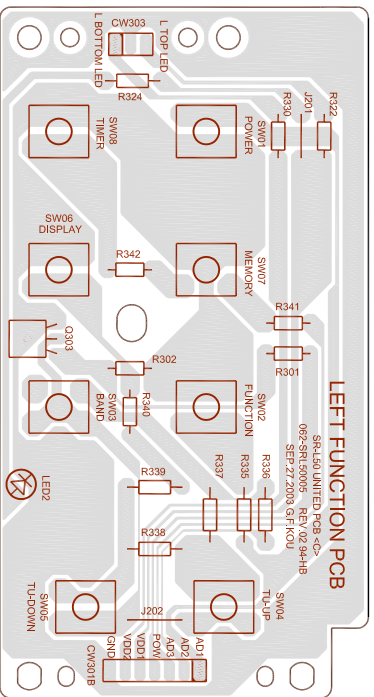
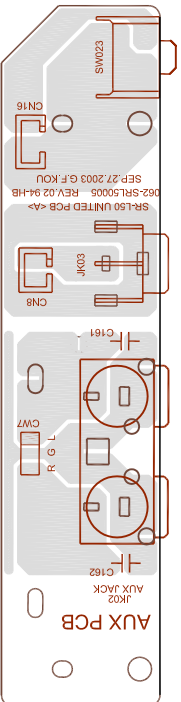
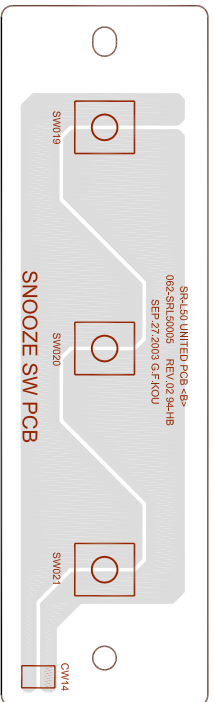
REF.NO	PARTS NO.	DESCRIPTION
	100-SR502130	BOTTOM LIGHT LEFT PCB ASS'Y
	062-SRL50005	UNITED PCB 94-HB REV:00
LED7	094-06030602	BLUE LED: Ø5MM

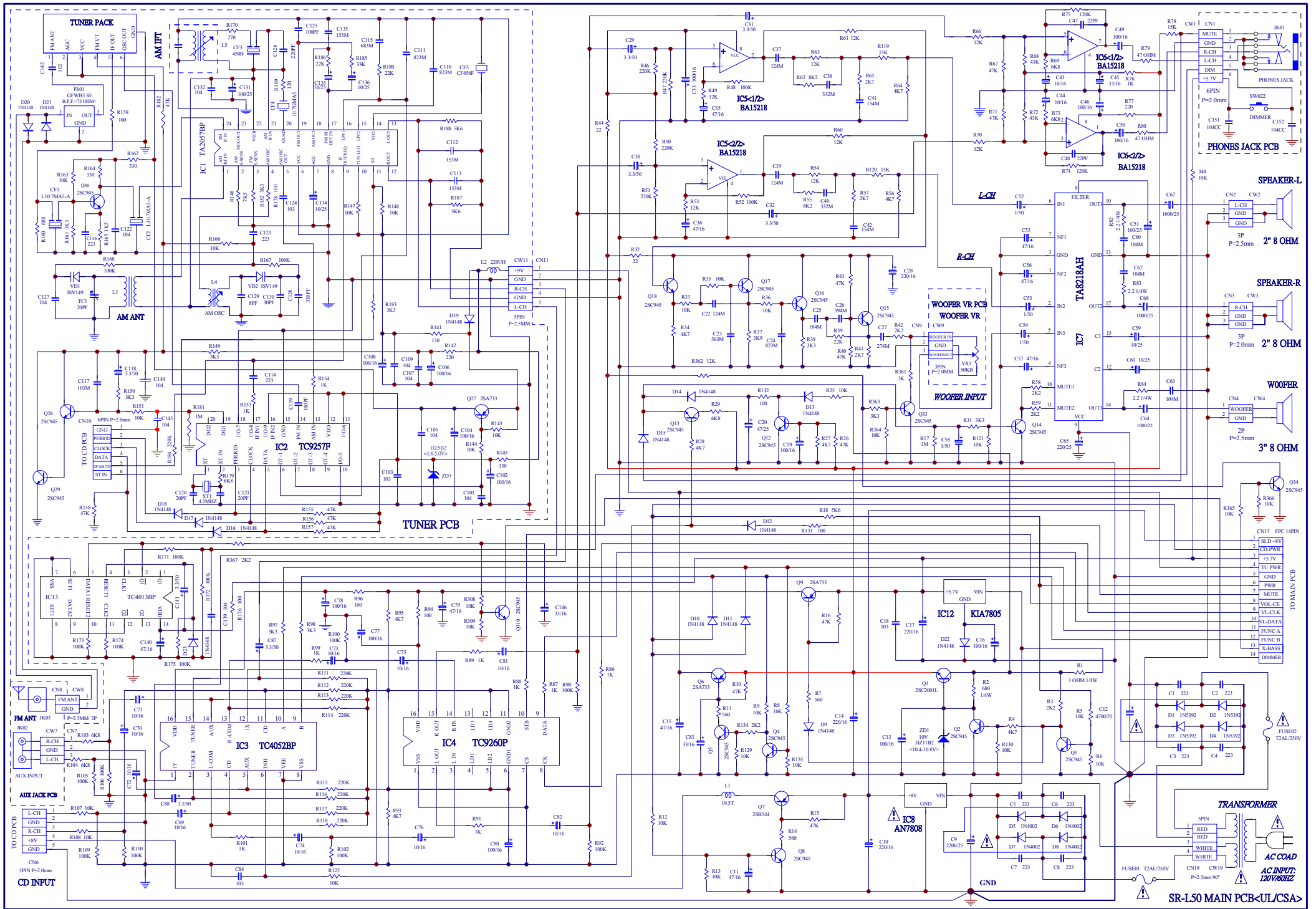
BOTTOM RIGHT LEFT PCB ASSY

REF.NO	PARTS NO.	DESCRIPTION
	100-SR502140	BOTTOM LIGHT RIGHT PCB ASS'Y
	062-SRL50005	UNITED PCB 94-HB REV:00
LED4	094-06030602	BLUE LED: Ø5MM

TOP LEFT LED PCB ASSY**AUX PCB ASSY**

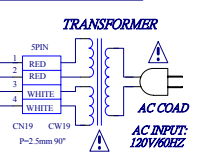
REF. NO	PARTS NO.	DESCRIPTION	REF. NO	PARTS NO.	DESCRIPTION
	100-SR502120	TOP LEFT LED PCB ASS'Y		100-SR502100	AUX PCB ASS'Y
	062-SRL50005	UNITED PCB 94-HB REV:00		062-SRL50005	UNITED PCB 94-HB REV:00
CN303	082-20300100	CONNECTOR 3PIN P=2.0MM 90°	C161,162	070-30100505	CERAMIC CAP 0.001UF 50V Y5P K
CN305	082-20240100	CONNECTOR 2PIN P=2.5MM 90°	CN8	082-10240100	CONNECTOR 2PIN P=2.5MM 180°
LED3	094-06030502	BLUE LED: Ø5MM	CN16	082-10300300	CONNECTOR 3PIN P=2.0MM 180°
BASS PCB ASSY			JK02	086-SLD90020	AUX JACK 2PIN
	100-SR502110	BASS PCB ASS'Y	JK03	020-SD900000	FM ANT JACK
	062-SRL50005	UNITED PCB 94-HB REV:00	SW023	063-SRL50060	TACT SWITCH 90° L=4.3MM
CN304	082-20300100	CONNECTOR 3PIN P=2.0MM 90°			
CN306	082-20240100	CONNECTOR 2PIN P=2.5MM 90°			
LED6	094-06030502	BLUE LED: Ø5MM			
VR1	069-SR501000	VR:50KB			
PHONE JACK PCB ASSY					
	100-SR502090	PHONE PCB ASS'Y			
	062-SRL50005	UNITED PCB 94-HB REV:00			
C151,152	070-50100507	CERAMIC CAP 0.1UF 50V Y5U M			
CN1	082-20600103	CONNECTOR 6PIN P=2.0MM 90°			
JK01	064-35020104	HEAD PHONE JACK Ø3.5MM			
SW022	063-0GP28020	TACT SWITCH H=5.0MM			
SNOOZE SWITCH PCB ASSY					
	100-SR502080	SNOOZE SWITCH PCB ASS'Y			
	062-SRL50005	UNITED PCB 94-HB REV:00			
SW019,021	063-SLD90000	TACT SWITCH H=4.3MM			
SW020	063-SLD90001	TACT SWITCH H=5.0MM			



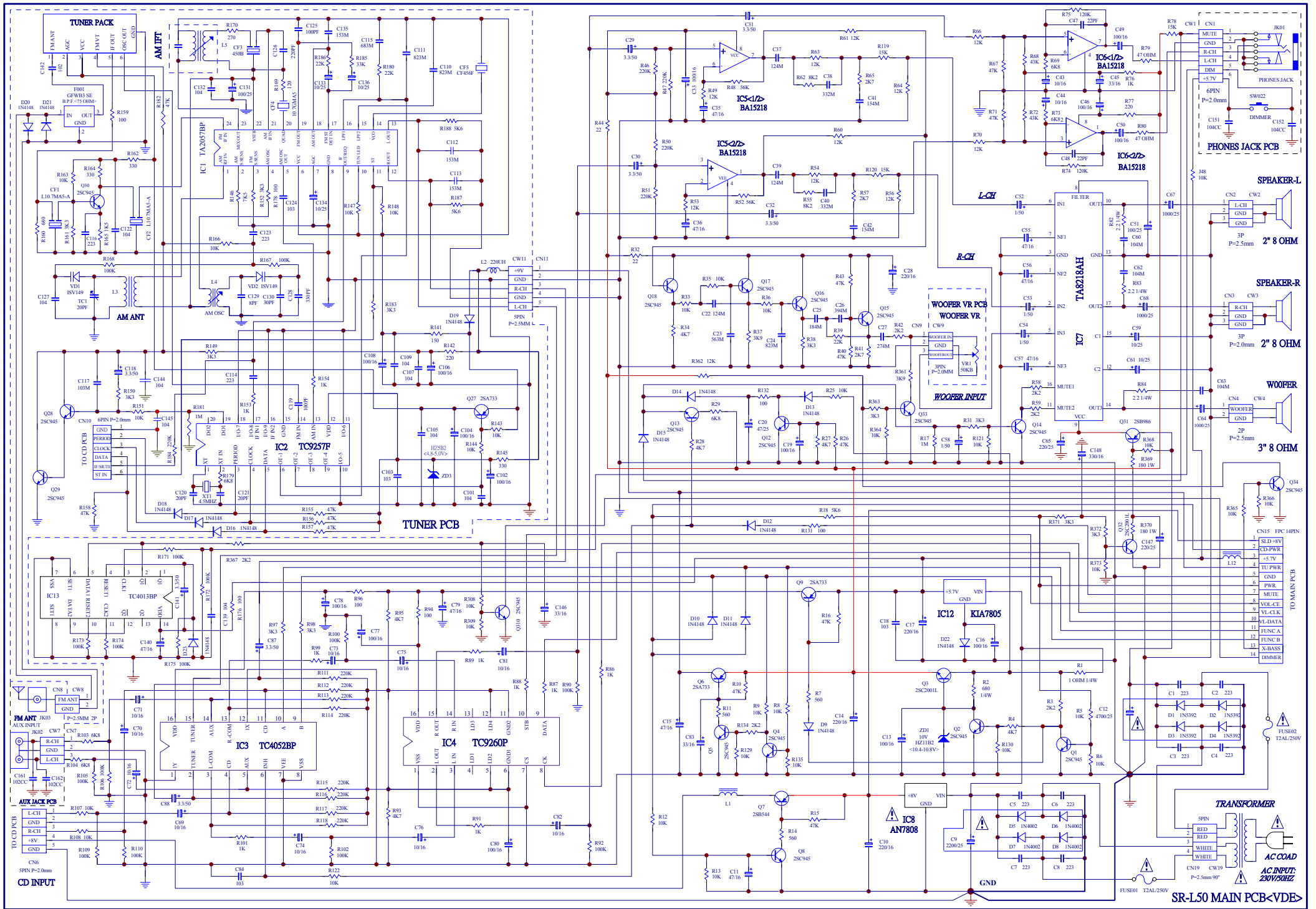


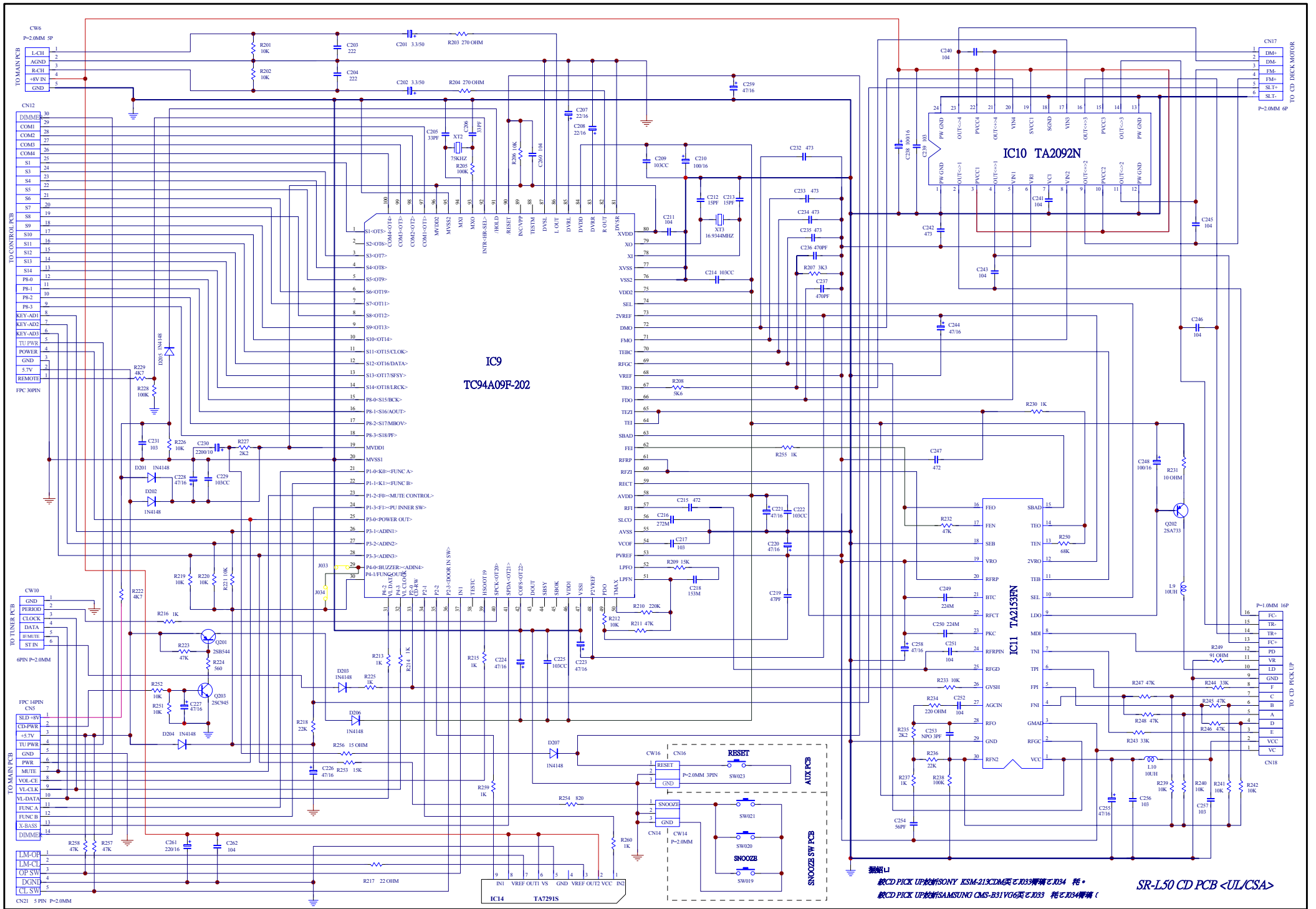
TO MAIN PCB

CN15	FPC 4PIN
1	SLD +5V
2	CD-PWR
3	+5.7V
4	TU-PWR
5	GND
6	PWR
7	MUTE
8	VOL-CE
9	VL-CLK
10	L-DATA
11	FUNC-A
12	FUNC-B
13	X-BASS
14	DIMMER



SR-L50 MAIN PCB-UL/CSA>





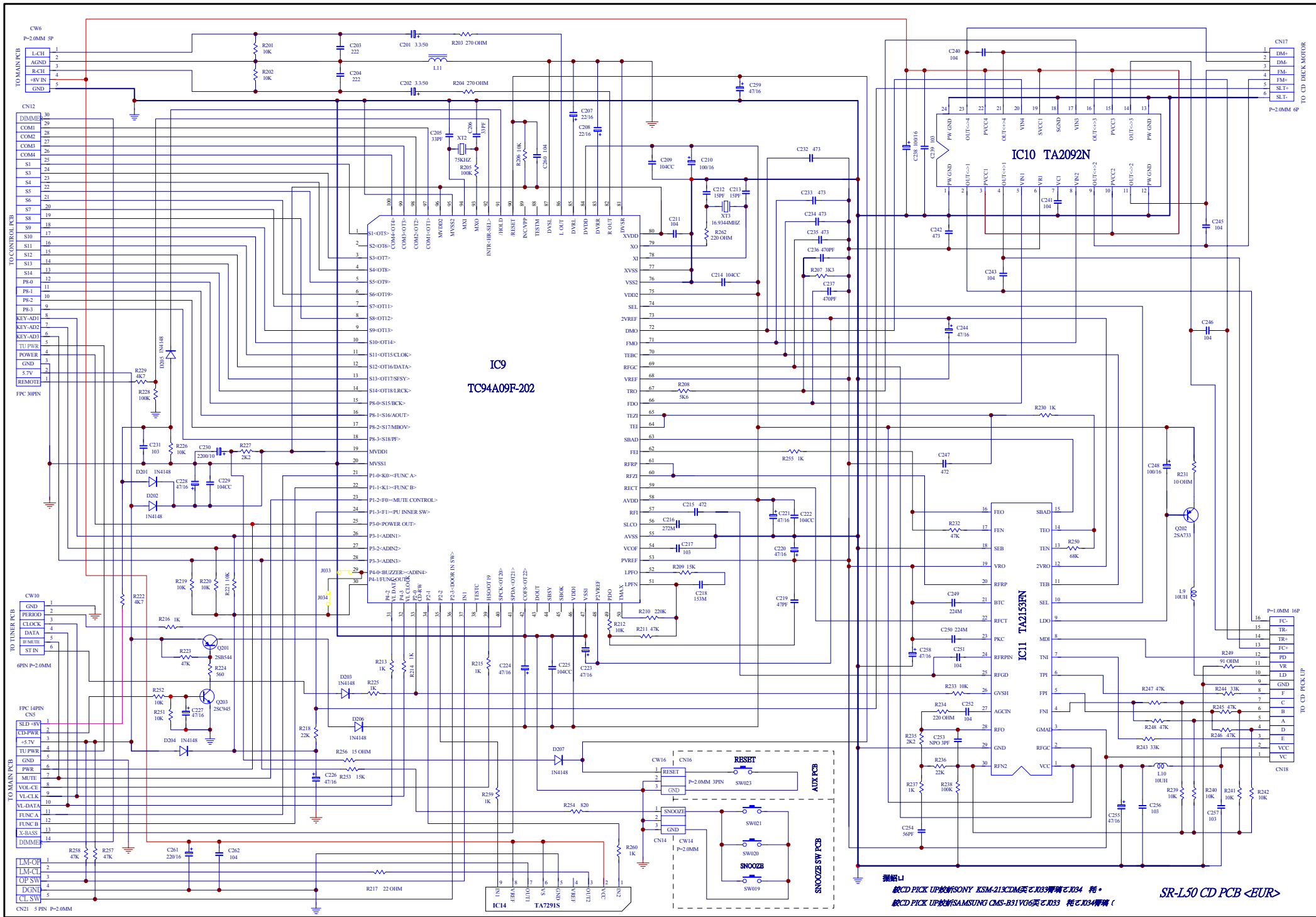
IC9
TC94A09F-2

IC10
TA2092N

IC11
TA2153FN

IC14
TA7291S

SR-LS0 CD PCB <UL/CSA>
 振動ピックアップ用IC:SONY KSM-213CD(英)とJ33(特)とJ34 特・
 振動ピックアップ用IC:SAMSUNG CMS-B31V6(英)とJ33 特とJ34(特)



振動口
 級CD PICK 上げ機SONY KSM-213CDMとR034機とR034機
 級CD PICK 上げ機SAMSUNG CMS-B31VG6とR033機とR034機

SR-L50 CD PCB <BUR>

SR-L50

TEAC

TEAC CORPORATION	3-7-3, Nakacho, Musashino-shi, Tokyo 180-8550, Japan	Phone:(0422)52-5081
TEAC AMERICA, INC.	7733 Telegraph Road, Montebello, California 90640	Phone:(323)726-0303
TEAC CANADA LTD.	5939 Wallace Street, Mississauga, Ontario L4Z 1Z8, Canada	Phone:(905)890-8008
TEAC MEXICO, S.A. De C.V	Campesions 184, Col.Granjas Esmeralda, 09810, Mexico	Phone:(525)581-5500
TEAC UK LIMITED	5 Marlin House, Croxley Business Park, Watford, Hertfordshire, WD18 8TE, U.K.	Phone:01923-819699
TEAC DEUTSCHLAND GmbH	Bahnstrasse 12, 65205 Wiebaden-Erbenheim, Germany	Phone:0611-71580
TEAC FRANCE S.A.	17, Rue Alexis-de-Tocquville, CE 005 92182 Antony Cedex, France	Phone:(1)42.37.01.02
TEAC ITALIANA S.p.A.	Via C. Cantu 11, 20092 Cinisello Balsamo, Milano, Italy	Phone:02-66010500
TEAC AUSTRALIA PTY., LTD.	106 Bay Street, Port Melbourne, Victoria 3207, Australia	Phone:(03)9644-2442
A.B.N. 80 005 408 462		
